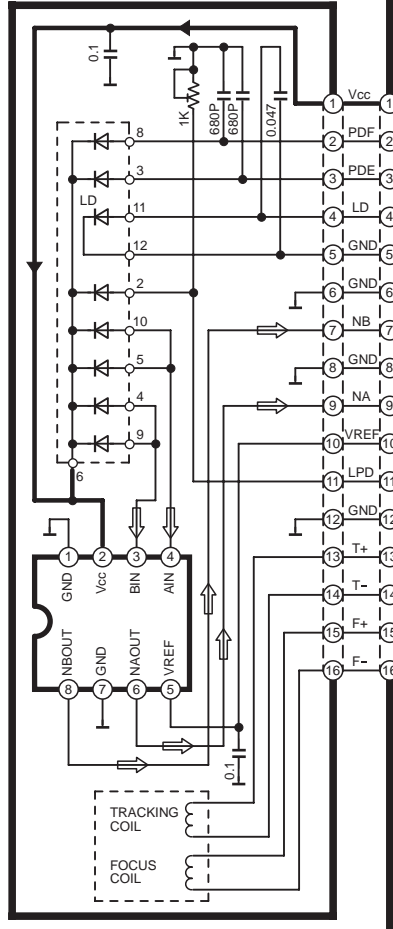


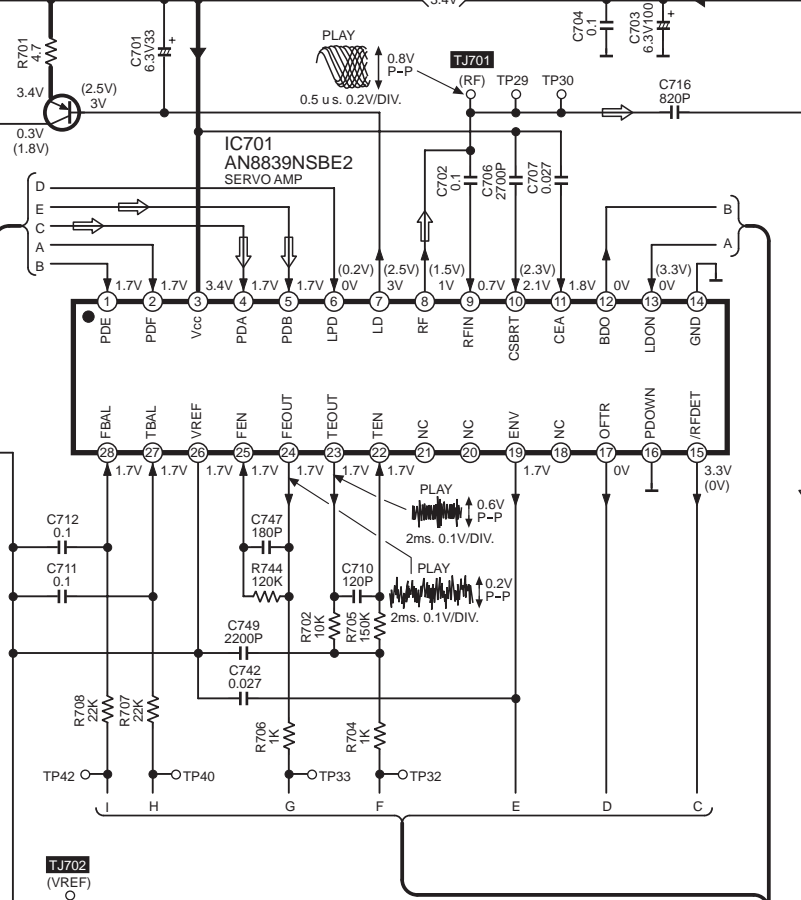
A CD SERVO CIRCUIT

→ : POSITIVE VOLTAGE LINE ⇨ : CD SIGNAL LINE

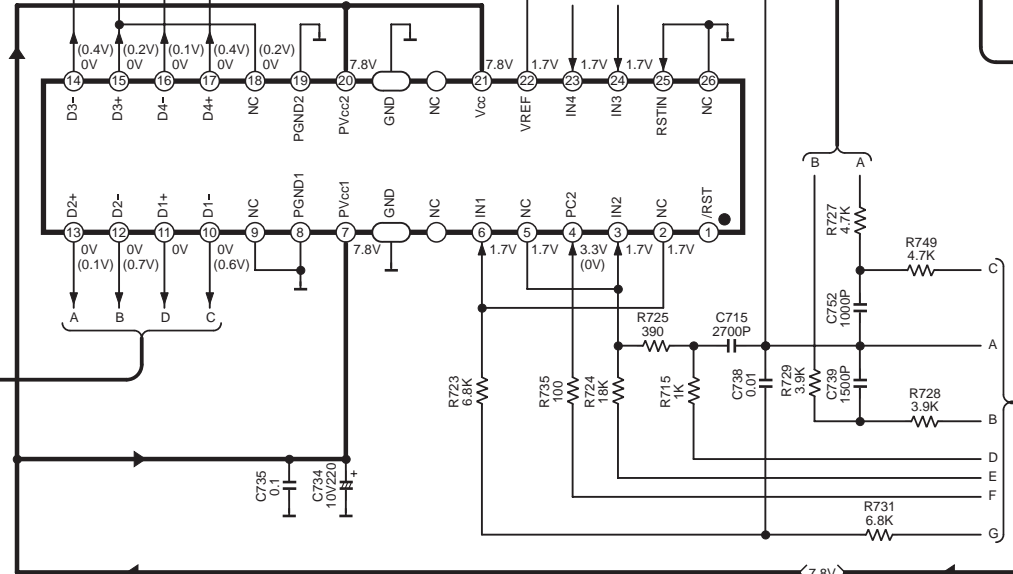
OPTICAL PICKUP



Q701
2SB709STX
LASER POWER DRIVE

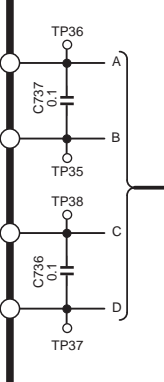


IC703
AN8739SBE2
FOCUS COIL/
TRACKING COIL/
TRAVERSE MOTOR/
SPINDLE MOTOR DRIVE

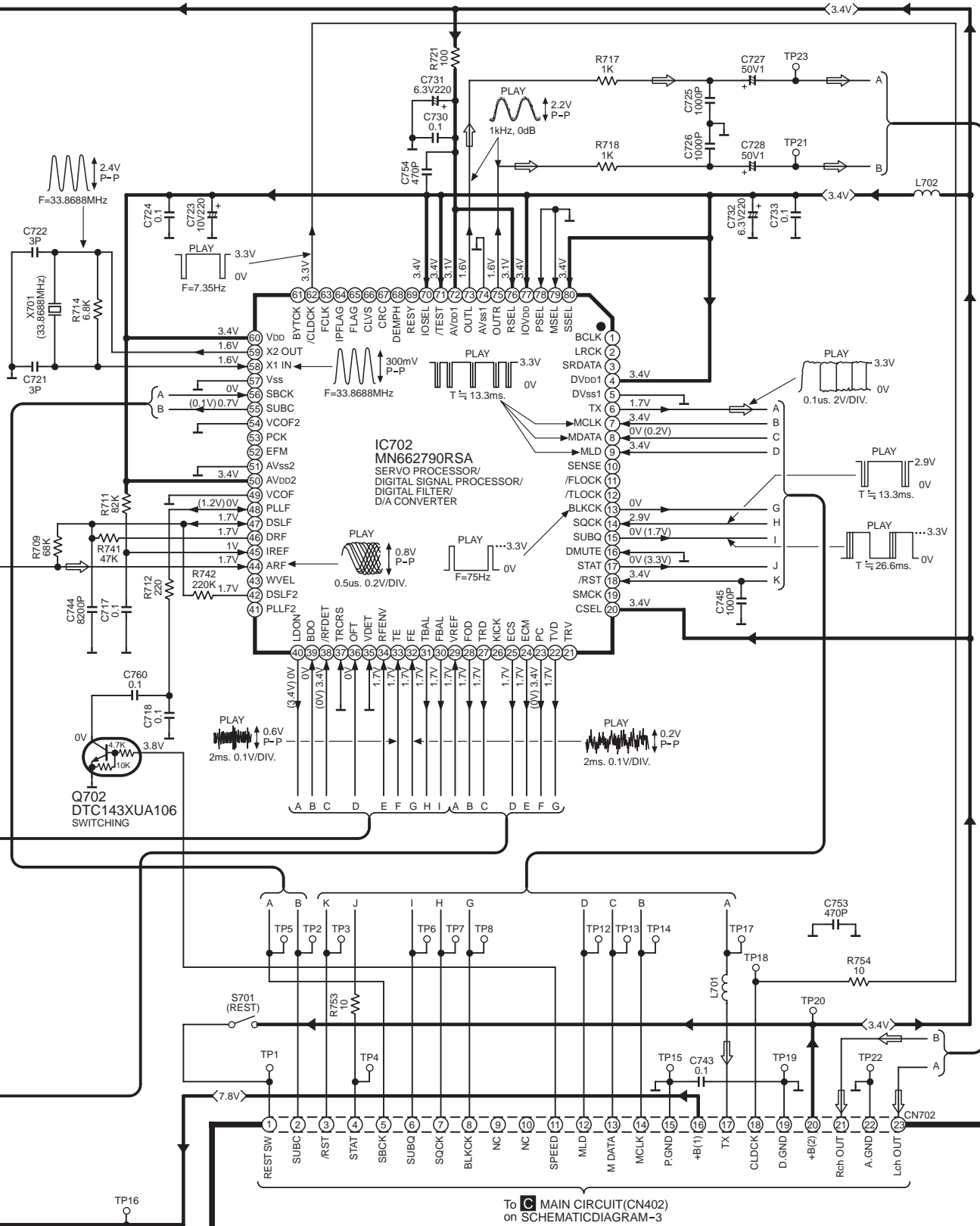


M702
SPINDLE MOTOR

M701
TRAVERSE MOTOR

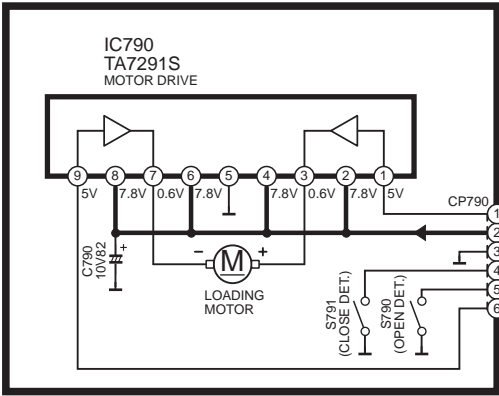


➔ : POSITIVE VOLTAGE LINE ⇨ : CD SIGNAL LINE



To MAIN CIRCUIT(CN402)
on SCHEMATICDIAGRAM-3

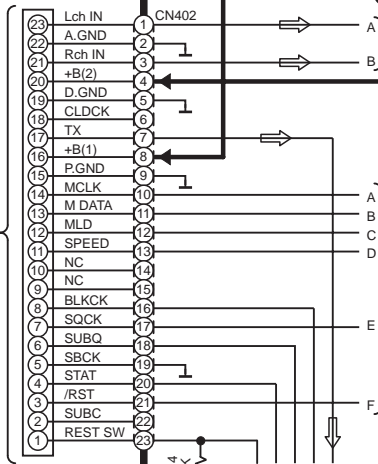
B LOADING MOTOR CIRCUIT



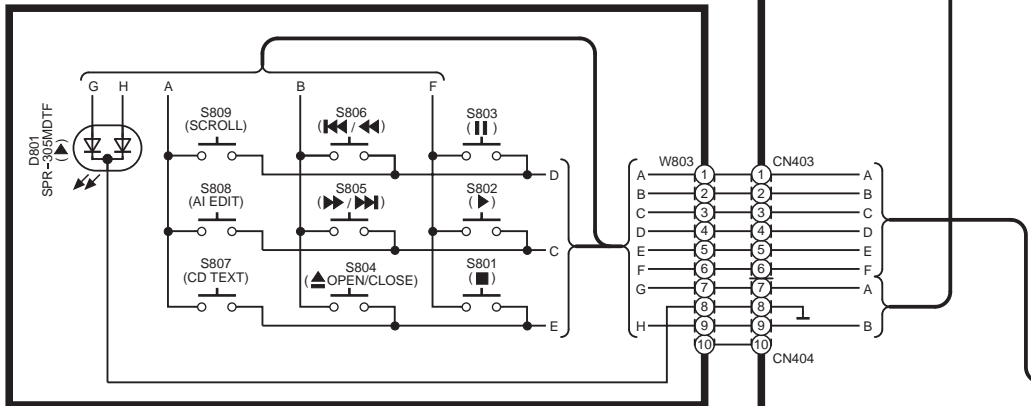
C MAIN CIRCUIT

→ : POSITIVE VOLTAGE LINE ⇨ : CD SIGNAL LINE

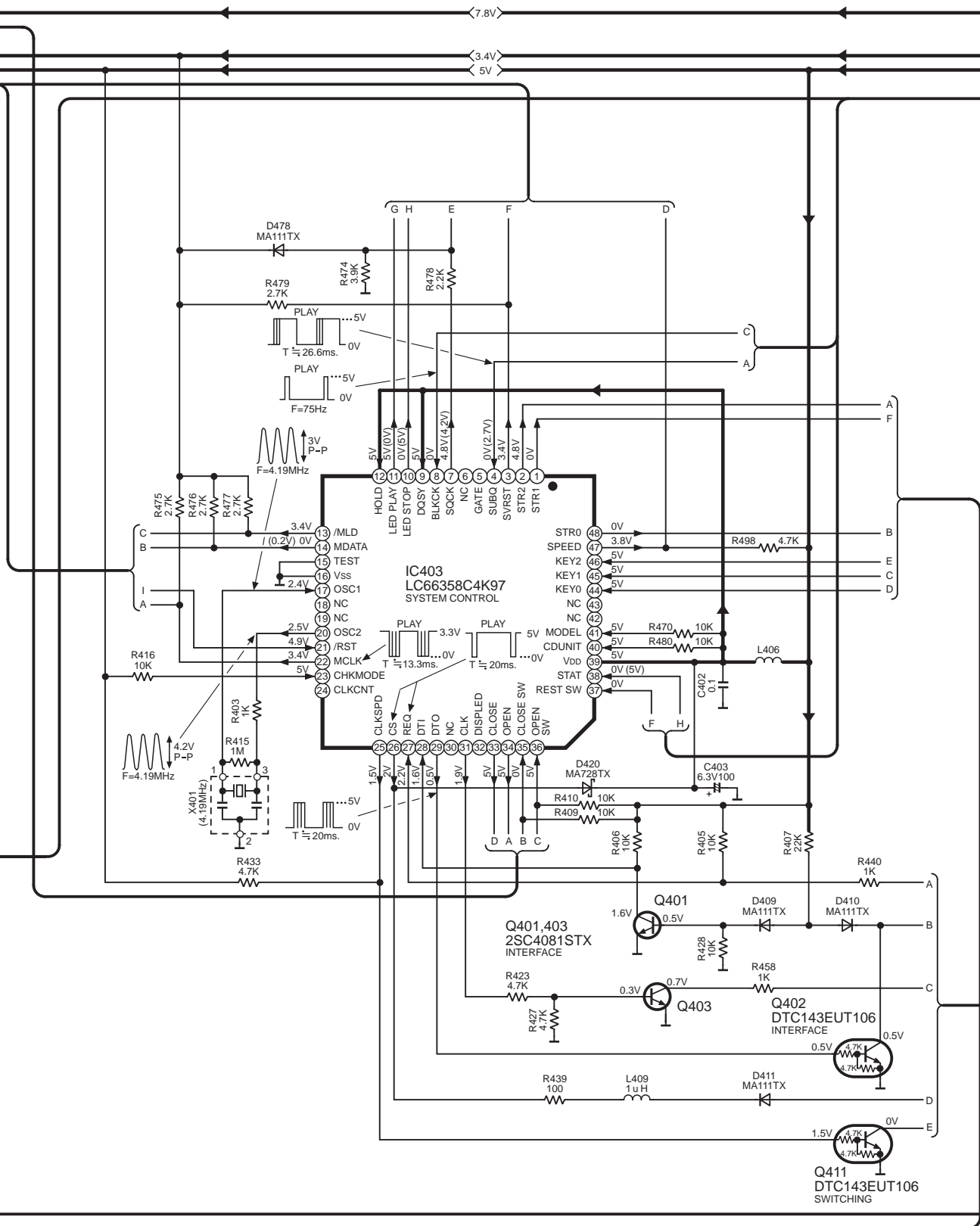
To **A** CD SERVO CIRCUIT (CN702) on SCHEMATIC DIAGRAM-2



D OPERATION CIRCUIT

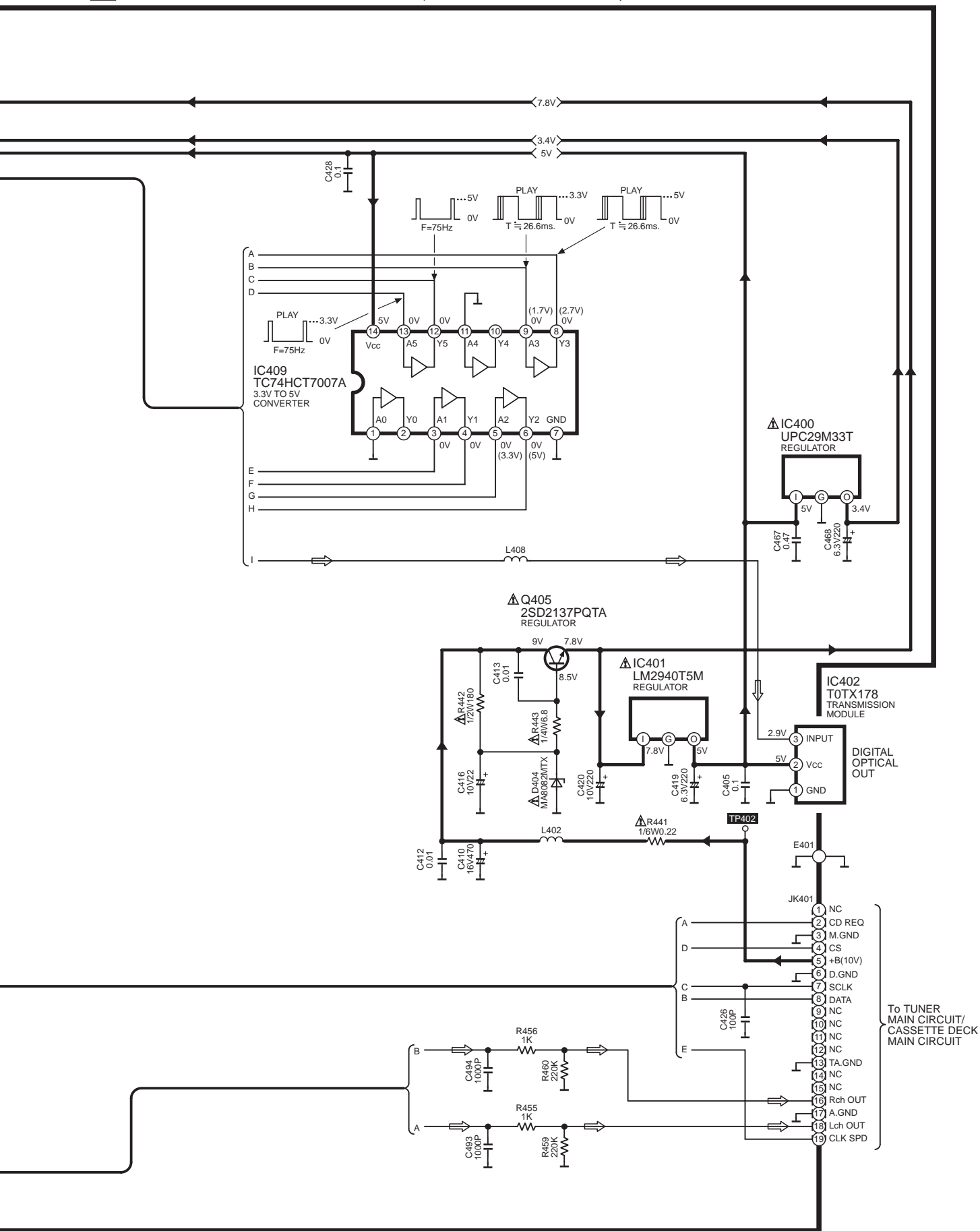


→ POSITIVE VOLTAGE LINE



C MAIN CIRCUIT

→ : POSITIVE VOLTAGE LINE ⇨ : CD SIGNAL LINE



To TUNER
MAIN CIRCUIT/
CASSETTE DECK
MAIN CIRCUIT